



Warewashing Systems

Project _____

Item _____

Quantity _____

CSI Section 11400

Conserver® XL-E

Low Temperature Chemical Sanitizing Door-type

Standard Features

- Fill and Dump design disposes of dirty water, replacing it with a fresh water rinse every cycle
- Electronic timer
- Internal sump design
- Delime mode for easy removal of hard water deposits
- Door-actuated start
- Convenient top mounted controls
- 17-1/4" (438 mm) vertical inside clearance
- Interchangeable upper and lower stainless steel wash/rinse arms
- Door switch
- Self-draining stainless steel pump eliminates soil/detergent carryover between wash and rinse cycles
- Built-in waste accumulator
- Removable scrap screen
- Built-in chemical pumps and priming switches
- Field convertible from straight to corner and corner to straight for flexible installations and applications (kit required)
- Air gap instead of vacuum breaker
- Low chemical indicator lights
- Wash thermometer
- Single point electrical connection
- Stainless steel adjustable bullet feet
- Durable stainless steel construction



Conserver® XL-E

Specification Statement

Specified unit will be a Jackson Conserver XL-E low temperature chemical sanitizing door-type dishwasher, rated to NSF/ANSI Standard 3 by ETL Sanitation. Unit will be ENERGY STAR® certified. Unit to be rated for 41 racks per hour, 1.02 gallons per rack, and will include an electronic timer and an internal sump. Other features include a 17 1/4 inch vertical inside clearance, interchangeable wash/rinse arms, 1 HP self-draining stainless steel wash pump, built-in chemical pumps and priming switches, delime mode, low chemical indicator lights and built-in waste accumulator. Constructed of durable stainless steel with adjustable bullet feet.

1-year parts and labor warranty.

Options & Accessories

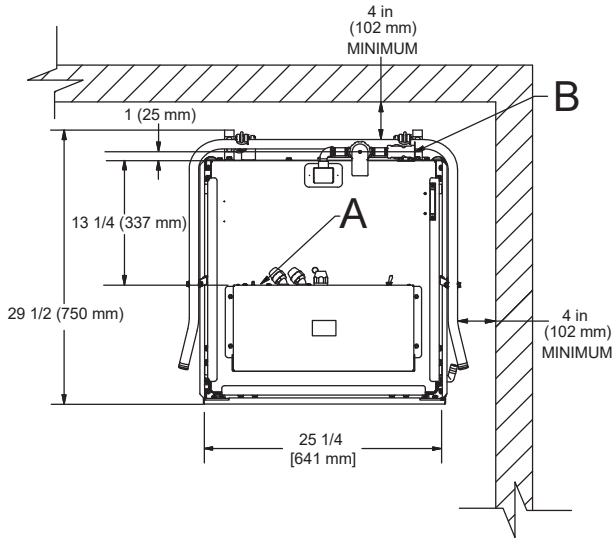
- 230V Electrical
- Water Hammer Arrestor
- False Panel (for corner installations)
- Front Dress Panel
- Flanged Feet
- Audible Low Product Alarm (available only on 115v models)
- Scaltrol
- Replacement Cartridge for Scaltrol
- 36-Compartment Rack 4-1/8" tall (105 mm) 5-5/8" tall (143 mm) 7" tall (178 mm)
- Combination Rack
- Peg Rack



Meet The Conserver Family of Products

Jackson's family of Conserver products offers a solution for every application. These low temp, chemical sanitizing door-type dishwashers provide robust cleaning power to get dishes *Clean the First Time*®! The fill and dump design disposes of dirty wash water, replacing it with a fresh water rinse every cycle, while the self-draining stainless steel pump eliminates soil/detergent carryover between the wash and rinse cycles. The internal sump saves space and provides a more aesthetic appeal to the product. Built-in chemical pumps come standard on all Conserver products, and a low product indicator light alerts the user whenever the machine runs out of chemical product. Find your Conserver at www.jacksonwss.com.

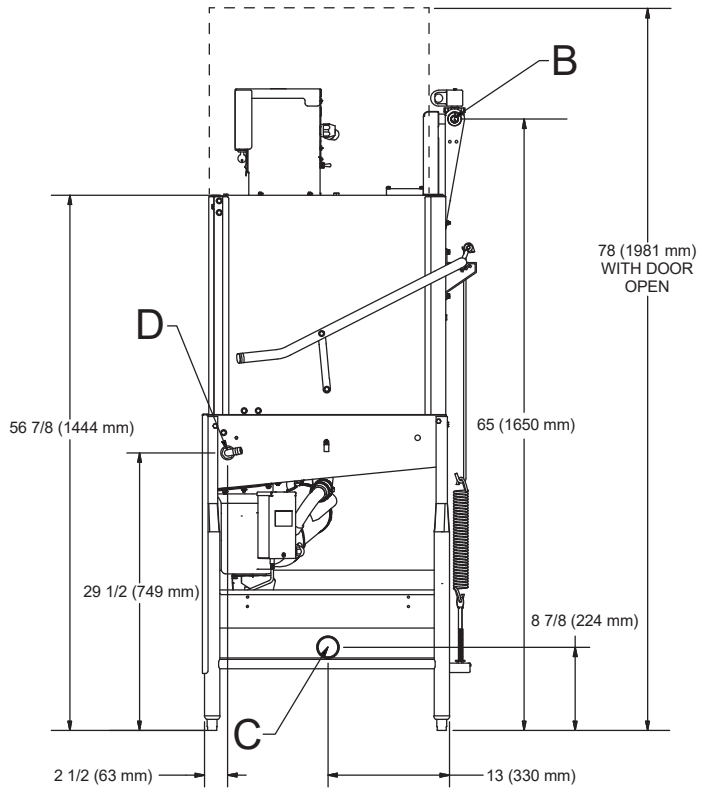
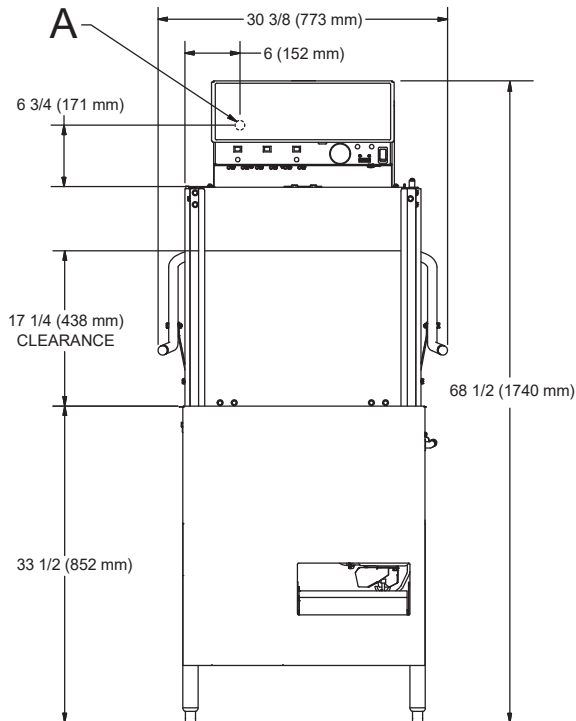




LEGEND

- A - Electrical Connection (1 1/8" Hole)
- B - Water Inlet (1/2" NPT)
- C - Drain Connection (2" NPT)
- D - Chemical Connection (7/8" Hole)

All dimensions from the floor can be increased 1 1/8" using the machine's adjustable feet.





Warewashing Systems

Conserv[®]er XL-E

Low Temperature Chemical Sanitizing Door-type

Operating Capacity

Racks per Hour	41 (39)*
Dishes per Hour	1025
Glasses per Hour	1476

Operating Temperature

Wash Temperature	
Minimum	120 °F (49 °C)
Recommended	140 °F (60 °C)
Rinse Temperature	
Minimum	120 °F (49 °C)
Recommended	140 °F (60 °C)

Operating Cycle (seconds)

	Wash	Rinse	Dwell	Total Cycle
Normal	42	25	20	87

Water Consumption

Gallons per Rack	1.02 (3.9 L)
Gallons per Hour	41.82 (158.3 L)
Gallons per Hour**	39.78 (150.6 L)
Wash Tank Capacity (gallons)	1.02 (3.9 L)

Water Requirements

Incoming Water Temperature	
Minimum	120 °F (49 °C)
Recommended	140 °F (60 °C)
Flow Pressure (PSI)	20 ± 5
Incoming Water Connection (NPT)	1/2"
Drain Connection (ID)	2"

Electrical Specifications

Wash Pump Motor (HP)	
115V	1
208V	1

Power Supply	Total Load	Minimum Circuit Ampacity	Maximum Overcurrent Protection
115/60/1	10.0 A	12.5 A	20.0 A
230/60/1	5.0 A	6.3 A	15.0 A

Dimensions

Width	30 3/8" (773 mm)
Depth	29 1/2" (750 mm)
Height	68 1/2" (1740 mm)
Height with Door Open	78" (1981 mm)
Inside Clearance Height	17 1/4" (438 mm)
Wall Clearance	
Rear	4" (102 mm)
Side (Corner Installation)	4" (102 mm)
Drain Height	8 7/8" (225 mm)
Weight	202 lbs (92 kg)

Shipping Details

Shipping Weight	227 lbs (103 kg)
Shipping Width	33" (838 mm)
Shipping Depth	42" (1067 mm)
Shipping Height	73" (1854 mm)
Shipping Cube	58.55 cu ft
Shipping Class	300

Advisory: Jackson WWS, Inc. DOES NOT endorse "Tankless On-Demand" water heaters for use with our dishmachines. Jackson WWS, Inc. DOES endorse, and highly recommends, standard "tank" style water heaters, sized to properly handle the water heating requirements of the facility.

*Racks per hour calculated with NSF suggested load time of :05 for door-type (straight thru) dishmachines.

**Gallons per hour calculated with NSF suggested load time of :05 for door-type (straight thru) dishmachines.

Contact Jackson

07610-004-00-91 [03/23/23]

Address

6209 N U.S. Highway 25E
Gray, Kentucky 40734

Telephone & Fax

T 888.800.5672
F 606.523.1799

Email

customer.service@jacksonwws.com



We reserve the right to change specifications in this document without incurring any obligation for equipment previously or subsequently sold.